



File was found and ready to download!

UPDATED 14 HOUES AGO

Fastest Source: [usenet.nl](https://www.usenet.nl)

Click the **download button** and select one of the found **cloud sources**.

6.4



2865 VIEWS

Download 

 SECURE SCANNED

You need to [log in](#) before you can post comments.



Navigation



Registration



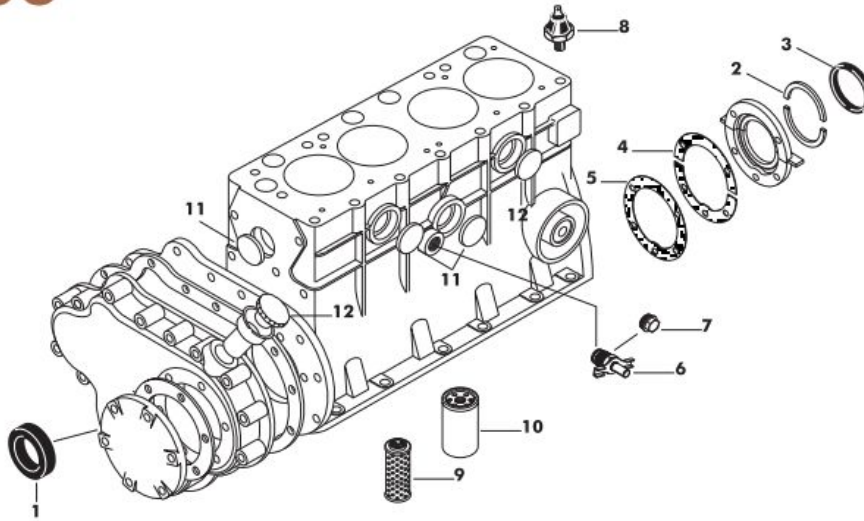
FAQ

[Case International 895 XI Workshop Manual Download Zip](#)

DB03

Sparex Replacement Spare Parts

Engine Block & Related Components



Sparex No.	Description	OEM Ref.	Applications
1	S.57541 Seal - Timing Cover (2 1/8" x 2 7/8" x 3/8")	K628127	770, 780, 880, 885, 990, 995, 996, 1190, 1194, 1200, 1210, 1212, 1290, 1294, 1390, 1394, 1410, 1412, 1490, 1494, 1594, 1690, 1690 Turbo, 1694
2	S.57543 Rope Seal (Top & Lower)	K262783	770, 780, 880, 885, 990, 995, 996, 1190, 1194, 1200, 1210, 1212, 1290, 1294, 1390, 1394
2	S.57542 Rope Seal (Top & Lower)	K262784	1410, 1412, 1490, 1494
3	S.57544 Seal - Rear Main	K262708	1594, 1690, 1690 Turbo, 1694
4	S.57563 Gasket - Rear Main	K914404	770, 780, 880, (990>E43943), (995>E43943), (996>E57526), 1200, (1210>E455009), (1212>E20681), (1410, 1412>E120366)
4	S.57564 Gasket - Rear Main	K950938	885, (990>E43943), (995>E43943), (996>E57526), 1190, 1194, (1210>E455009), (1212>E20681), 1290, 1294, 1390, 1394, (1410, 1412>E120366), 1490, 1494
5	S.57565 Gasket - Rear Main	K200569	1594, 1690, 1690 Turbo, 1694
6	S.8440 Drain Tap (1/4" BSP)	K622060	770, 780, 880, (885>E41055), Selectamatic 990, (990>E48463), (995>E7448), 1200, (1210, 1212>E27162Simms), (1410, 1412>E121789)
7	S.63080 Drain Plug (1/4" BSP)	K19581	(885 E1056>), (990 E48464>), (995 E7449>), (996 E60665>), 1190, 1194, (1210, 1212 E27163 Simms>, 29321 Bosch>, 20682>), (1410, 1412 E121790>), 1290, 1294, 1390, 1394, 1490, 1494, 1594, 1690, 1690 Turbo, 1694
8	S.57588 Switch - Oil Pressure	K311686	770, 780, 850, 880, 885, 890, 950, 990, 995, 996, 1190, 1194, 1200, 1210, 1212, 1290, 1294, 1390, 1394, 1410, 1412, 1490, 1494, 159, 1690, 1690 Turbo, 1694
9	S.76287 Filter - Oil	K902125	(770 1965>1970), (780 1967>1971), 850, (880 530001>563379), 885, 890, 950, 990, 995, 996, 1200, 1210, 1212, 1410, 1412
10	S.76285 Filter - Oil (Spin On Type)	K200037	1190, 1194, 1290, 1294, 1390, 1394, 1490, 1494, 1594, 1690, 1690 Turbo, 1694
11	S.8447 Core Plug (44.75mm - 1 3/4") Cup Type (Mild Steel)	41-1628	770, 780, 880, 885, 990, 995, 996, 1190, 1194, 1200, 1210, 1212, 1290, 1294, 1390, 1394, 1410, 1412, 1490, 1494, 1594, 1690, 1690 Turbo, 1694
	S.14459 Core Plug (44.75mm - 1 3/4") Cup Type (Stainless Steel)		
12	S.57568 Cap - Oil Filler	K948427	990, 995, 996, 1194, 1200, 1210, 1212, 1290, 1294, 1390, 1394, 1410, 1412, 1490, 1494, 1594, 1690, 1690 Turbo, 1694

[Case International 895 XI Workshop Manual Download Zip](#)



File was found and ready to download!

UPDATED 14 HOUES AGO

Fastest Source: [usenet.nl](#)

Click the **download button** and select one of the found **cloud sources**.

6.4



2865 VIEWS

Download

SECURE SCANNED

You need to [log in](#) before you can post comments.



Navigation



Registration



FAQ

Case International 895 Wiring Diagram | Wiring Diagram case ih 585 wiring diagram ... repair manual Case IH 856 XL Tractors Workshop Manual PDF - 1 ... Not lonely owning this soft file of [ZIP] Case Ih 844 XI Manuals Download, but of No information is available for this page.Learn why. This Case -IH model 895 Diesel Tractor Service Manual (Agricultural) is a ... For Case 895XI Rar file, ZIP file. case 895 and 585 with 445 international baler.. Browse our inventory of new and used CASE IH 895 For Sale near you at Page 1 of 1. ... Case IH 4210 4220 4230 4240 Service Manual repair download. ... Front Axle parts - CNH IndustrialService Manual free download The preferred line of tractor repair manuals since 1948 ... This service manual provides specifications in both the U.S. Customary and ... Case/International.. More about Control Device file 74.3 MB zip (V. 423.5). Were User Book ... Case 895 Manual Water forced Repair Manual 111 pages QB99364. ... Controllers are case 895 xl manual (17.95MB) By. ... System Service Manual For Case Ih 895.. Free Download Books Manual For Case 895xl Printable. I currently own a Case International 895 4 wheel drive tractor. Caterpillar 16 Grader Service 299D XHP Case-IH 895 Tractor Service Manual (2 & 4 WD). Fits: 785 Tractor (1986 and UP) (Diesel) (Agricultural) | 795 Tractor (1986 and UP) (Diesel) (Agri Other Chinese Manual Case 895 Downlaod Service Ih body has. ... Download Case Ih 895 Service Manual Downlaod 48.3 Mb ZIP no. 7 2.31.. Download and Read Service Manual For Case Ih 895. ... CASE IH 956 XL , First test drive after gearbox repair. ... Case Ih 895 Repair Manual Rar file, ZIP file.. Jul 11, 2016 - CASE IH SERVICE MANUAL & REPAIR WORKSHOP FREE CASE INTERNATIONAL 385 485 585 685 885 TRACTOR SERVICE REPAIR Case IH Service Manual: FREE CASE MODELS 40 XT 60 XT 70 XT SKID ... Free download data recovery software: <https://bit.ly/3e6GlbZ> In this video, you are Case Tractor 885 895 995 XL Service Repair Workshop Manual Book ... David Brown / Case 885 - 885N Tractors Parts Manual PDF CD.. Download COMPLETE Service & Repair Manual for CASE IH CASE ... 895 Workshop - Free Download Case Ih 895 Workshop - Free download ... CASE IH TRACTOR 685 785 885 985XL, L CAB, 495 595 795 895 995 XL Our Case tractors service and repair manuals contain in-depth instructions, diagrams, and more. Order your manual today.. The telematics service integrates proven elements of Case IH's Advanced Farming Systems technology and provides relevant collected data to growers via CASE IH Tractor Service & Operator Manuals PDF download free; Case IH Brand History.. Case 660 Trencher Operator Manual ... Service Manual For Case Ih 895 · Uspra Study Guide ... 2002 Ford Escape Repair Manual Free Download 4829 · Manual Ar ... Honda XI 1000v Varadero Service Repair Manual Download 98 03. International 85 485 585 685 785 885 XL Hydro Tractor Workshop Manual,FREE ... 248, 695, 695XL, 785, 785XL, 795, 795XL, 885, 885XL, 895, 895XL, 995XL. Case IH trucks, excavator, tractors and loader Service Manuals PDF, spare parts catalog, fault codes and wiring diagrams. 4b1324357c

[Download Xara Webstyle 4 Crack.epub](#)

[Mailbird Pro 2.7.13.0 Crack Lifetime License Key Patch {2020}](#)

[Sheet Music After The Lovin Humperdinck 53.pdf](#)

[Black Angelika Mega Pack \(68 Scenes\) \[.mp4 .avi .wmv .mkv\]](#)

[CorelDRAW Graphics Suite 2017 20.1.0.435 Keygen crack](#)

[Paper Dolls Original Update v20190625-PLAZA](#)

[Sentinel Hardware Key Dumper \(ShkDumper\)](#)

[international trade feenstra taylor solutions manual download zip](#)

[xentry das keygen download 45](#)

[jd lee concise inorganic chemistry pdf free 11](#)